

## 12E Series Effluent Pump

This submersible pump is designed for use in basins or pumping stations and is suitable for pumping clean water or effluent gray water with up to 3/4" (19 mm) spherical semi-solids. Do not use the pump in applications where sewage or any other debris (gravel, sand, floating debris, etc.), abrasives, or corrosives are present.

The pump motor is equipped with an automatic restart thermal protector and may restart unexpectedly. Activation of the thermal protector indicates that the motor is overloaded or overheated, which may be due to application problems, such as a clogged pump impeller, a switch stuck in the on position, a dry running of the pump, a air-sealed pump, a short pump cycle, an excessively high or low voltage supply, or a pump, motor, bearings, or seal that may have reached the end of its useful life.

This product is covered by a Limited Warranty for a period of 36 months from the date of original purchase by the consumer. For complete warranty information, refer to [www.LittleGiant.com](http://www.LittleGiant.com).



## Specifications

Model	HP	Volts	Hz	Amps		Watts	ON Level	OFF Level
				FLA	Start			
12E-CIM	1/2	115	60	10	18	1100	N/A	N/A
12E-CIA-RF							12" - 15"	6" - 8"

## SAFETY INSTRUCTIONS

This equipment should be installed and serviced by technically qualified personnel who are familiar with the correct selection and use of appropriate tools, equipment, and procedures. Failure to comply with national and local electrical and plumbing codes and within Little Giant recommendations may result in electrical shock or fire hazard, unsatisfactory performance, or equipment failure.

Know the product's application, limitations, and potential hazards. Read and follow instructions carefully to avoid injury and property damage. Do not disassemble or repair unit unless described in this manual.

Refer to product data plate(s) for additional precautions, operating instructions and specifications.

Failure to follow installation or operation procedures and all applicable codes may result in the following hazards:

### ⚠ DANGER



#### **Risk of death, personal injury, or property damage due to explosion, fire, or electric shock.**

- Do not use to pump flammable, combustible, or explosive fluids such as gasoline, fuel oil, kerosene, etc.
- Do not use in explosive atmospheres or hazardous locations as classified by the NEC, ANSI/NFPA70.
- Do not handle a pump or pump motor with wet hands or when standing on a wet or damp surface, or in water.
- When a pump is in its application, do not touch the motor, pipes, or water until the unit is unplugged or electrically disconnected.
- If the power disconnect is out of sight, lock it in the open position and tag it to prevent unexpected application of power.
- If the disconnect panel is not accessible, contact the electric company to stop service.

## SAFETY INSTRUCTIONS

### Specifications

#### ⚠ WARNING



#### High voltages capable of causing severe injury or death by electrical shock are present in this unit.

- To reduce risk of electrical shock, disconnect power before working on or around the system. More than one disconnect switch may be required to de-energize the equipment before servicing.
- This product is supplied with a grounding conductor and grounding-type attachment plug. To reduce risk of electric shock, be certain that it is connected only to a properly grounded grounding-type receptacle. Do not remove the third prong from the plug. The third prong is to ground the pump to help prevent possible electric shock hazard. Do not use an extension cord.
- Check electrical outlets with a circuit analyzer to ensure power, neutral, and ground wires are properly connected. If not, a qualified, licensed electrician should correct the problem.
- Wire pump system for correct voltage.
- Check local electrical and building codes before installation. The installation must be in accordance with their regulations as well as the most recent National Electrical Code (NEC) and the Occupational Safety and Health Act (OSHA).
- The flexible jacketed cord assembly mounted to the pump must not be modified in any way, with the exception of shortening the cord to fit into a control panel. Any splice between the pump and the control panel must be made within a junction box mounted outside of the basin and comply with the National Electrical Code. Employ a licensed electrician.
- Do not use the power cord for lifting the pump.
- The pump has been evaluated for use with water only. Pump should only be used with liquids compatible with pump component materials. If the pump is used with liquids incompatible with the pump components, the liquid can cause failure to the electrical insulation system resulting in electrical shock.

#### ⚠ CAUTION



#### Risk of bodily injury, electric shock, or equipment damage.

- This equipment must not be used by children or persons with reduced physical, sensory or mental abilities, or lacking in experience and expertise, unless supervised or instructed. Children may not use the equipment, nor may they play with the unit or in the immediate vicinity.
- Equipment can start automatically. Always unplug the pump power cord and disconnect the electrical power before servicing the pump or switch.
- An inoperative or malfunctioning pump could lead to flooding, resulting in personal injury or property damage.
- In applications where property damage and/or personal injury might result from an inoperative or leaking pump due to power outages, discharge line blockage, or any other reason, an automatic back-up system and/or an alarm should be installed.
- Do not run the pump dry. If run dry, the surface temperature of the pump will rise to a high temperature that could cause skin burns if touched and will cause serious damage to your pump.
- Do not oil the motor. The pump's motor housing is sealed, with a high-grade dielectric oil for heat transfer and lifetime lubrication. Use of other oils could cause serious electric shock and/or permanent damage to the pump.
- Operation of this equipment requires detailed installation and operation instructions provided in this manual. Read entire manual before starting installation and operation. End User should receive and retain manual for future use.
- Keep safety labels clean and in good condition.

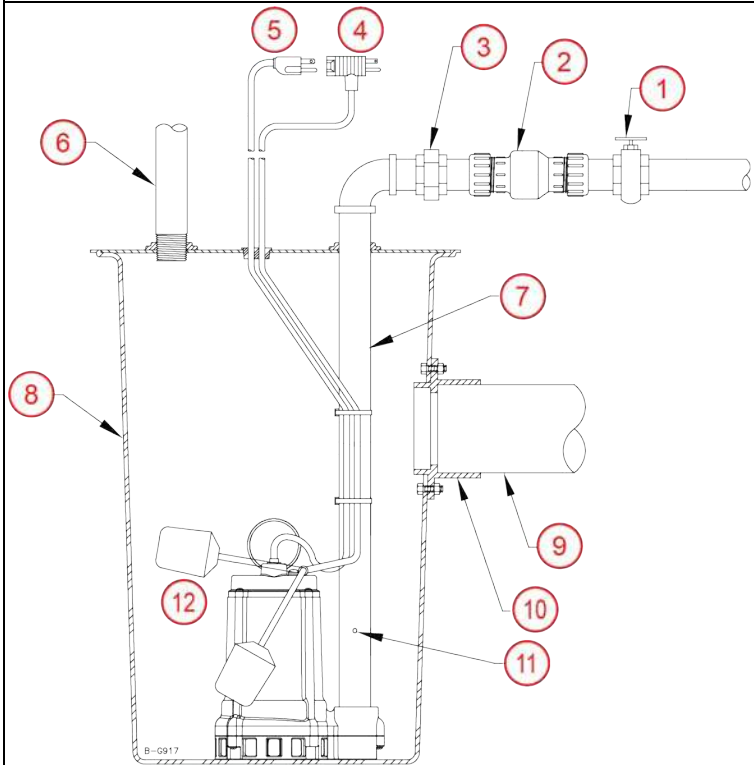
#### NOTICE

#### Risk of damage to pump or other equipment.

- Do not use this pump for pumping sea water, beverages, acids, chemical solutions, or any other liquid that promotes corrosion as this can result in damage to the pump.
- Do not run pump dry. For optimal cooling and to prolong the motor life, the liquid level being pumped should normally be above the top of the pump housing.
- This pump is not suitable for pond applications.

# INSTALLATION

## Typical Installation



1. Gate Valve
  2. Check Valve
  3. Union
  4. Switch power
  5. Pump Power
  6. Vent
  7. Discharge
  8. Gas tight basin
  9. Intake
  10. Caulking hub
  11. 3/16" air bleed hole
  12. Tethered Float
- Refer to ["Specifications" on page 1](#) for ON-OFF levels

## Physical Installation

### NOTICE

#### **Risk of property damage due to flooding.**

- Do not install the check valve in a vertical position, as solids may settle in the valve and prevent the valve from opening on start-up. For best performance of the check valve when handling solids, install it in a horizontal position or at an angle of no more than 45°.
- When a check valve is used, drill a relief hole (1/8" or 3/16" in diameter) in the discharge pipe. This hole should be located below the floor line between the pump discharge and the check valve. Unless such a relief hole is provided, the pump could "air lock" and will not pump water even though it will run.

1. Install the pump in a suitable gas-tight basin that is at least 18" in diameter and 24" deep and vented in accordance with local plumbing codes.
  - Clean any debris from the basin and set the pump in the center of the basin.
  - Refer to ["Typical Installation" on page 3](#).
  - A solid bottom will prevent clogging of the pump from sand and dirt.
2. Place the pump-basin assembly on a hard, level surface.
  - Never place the pump directly on clay, earth or gravel surfaces. These surfaces contain small stones, gravel, sand etc. that may clog or damage the pump and cause pump failure.
3. Do not attempt to restrict the intake side of these pumps. Restricting the intake may cause damage to the seal and may starve the pump.
  - If reduced flow rates are required, place a valve on the discharge side of the pump.
  - If flexible vinyl tubing is used, a clamp can be used on the tubing to restrict the flow.
4. Support the pump and piping and connect discharge piping, using pipe joint compound at all connections.
  - Failure to support the pump and piping may cause the piping to break, the pump to fail, motor bearing failures, etc.
  - The discharge pipe should be as short as possible and contain as few elbows as possible. The discharge pipe should be the same diameter as the discharge size to reduce pipe friction losses. A smaller pipe will restrict capacity and reduce pump performance.
  - The pump comes with a 2" NPT female pipe thread discharge.
  - Install a union in the discharge line just above the basin cover to allow for easy removal of the pump for cleaning or repair.
5. Install a check valve in the discharge line to prevent back-flow of liquid into the basin.
  - The check valve should be a free-flow valve that will easily pass 3/4" solids.
6. Tape the pump and switch cords to the discharge line with electrical tape to protect the cord from damage.
7. Test the operation of the pump system. Refer to ["Operation Testing" on page 5](#).

**IMPORTANT:** Do not attempt to operate the pump without water; this will damage the seals and bearings and could result in permanent damage to the pump.
8. Place cover over basin to help prevent debris from entering the pit and accidental injury.

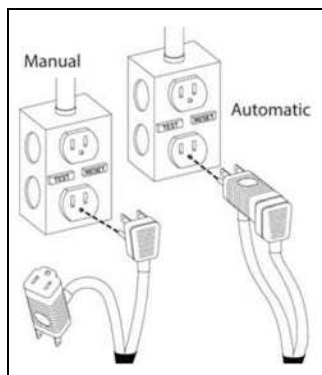
## Electrical Connections

Connect the power cord to a constant source of power matching the pump nameplate voltage.

- The pump should be connected or wired to its own circuit, with no other electric receptacles or equipment in the circuit. Do not connect to a fan or any device that runs intermittently.
- The fuses or circuit breaker should be of ample capacity.
- Connect to a circuit equipped with a ground fault circuit interrupter (GFCI) if required by code.

**IMPORTANT:** If the power cord is damaged, the whole unit must be replaced.

The 12E-CIA-RF pump has an automatic switch with a piggy-back plug on the switch cords. For automatic operation, plug the pump cord into the float switch cord. Plug the float switch cord (with pump cord attached) into the GFCI outlet.



## OPERATION TESTING

### NOTICE

#### Risk of damage to pump or other equipment.

- Do not attempt to run the pump without water; this could result in permanent damage to the pump.
- If pump is run dry, it may damage pump and will void the warranty.

If the pump does not operate properly, consult [“Troubleshooting” on page 8](#). If the solution still cannot be found, please contact the place of purchase or an authorized service center.

Do not let the unit run dry (without liquid). It is designed to be cooled by pumping fluid. The seal may be damaged and the motor may fail if the pump is allowed to run dry. Pump should be totally submerged for proper cooling of the motor when pump is operated for extended periods.

If the unit is going to be idle for a period of time, refer to [“Cleaning Impeller and Volute” on page 8](#). Do not let the unit freeze. This may cause cracking or distortion that may destroy the unit.

## Testing Automatic Pump Operation

When the 12E-CIA-RF pump is installed in a basin with a sealed cover, switch operation cannot be observed. The basin cover will usually have a spare hole that is plugged with a rubber plug. This plug can be removed and switch operation can be observed.

To test system operation, follow these steps:

1. Plug the power cord into a grounded receptacle with voltage consistent with the pump voltage, as indicated on the pump nameplate.
2. Be sure the gate valve in the discharge line is open.
3. Run water into the basin until the pump is activated.
4. Make sure the pump and its float switch are functioning as intended.

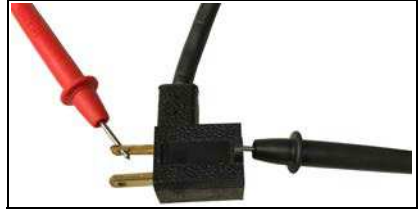
## OPERATION TESTING

### Testing Manual Pump Operation

5. Verify the ON/OFF levels are within specification, and confirm that no potential obstructions exist that could inhibit switch operation.
6. Confirm there are no leaks in the pump discharge plumbing and main home drain pipe plumbing.  
**NOTE:** It is normal for a stream of water to spray from the air bleed hole in the pump's plumbing. Confirm that this spray is captured within the basin.
7. Allow the pump to operate through several on/off cycles.

### Testing the Float Switch

A float switch can be bench tested by using an ohm-meter to check for continuity between the incoming and outgoing connections of the piggyback plug while raising and lowering the float.



## Testing Manual Pump Operation

### ⚠ CAUTION



#### Risk of bodily injury, electric shock, or equipment damage.

- If an accessory float switch or other liquid level control is installed, refer to manufacturer's instructions. Failure to install control in compliance with national and local electrical and plumbing codes and within manufacturer's recommendations may result in electrical shock or fire hazard, unsatisfactory performance, or equipment failure.
- Manual, continuous pump operation should be used only for emergencies, or when a large volume of water is to be pumped. The pump must be continuously monitored during operation and disconnected from power before the pump runs dry.

The 12E-CIM pump does not include an automatic liquid level control. The pump cord for this pump can be plugged directly into a properly grounded receptacle with voltage consistent with the pump nameplate for continuous pump operation.

For automatic operation of a manual pump, a separate float switch or other liquid level control may be used. If a float switch or level control has been added, refer to "[Testing Automatic Pump Operation](#)" on [page 5](#).

To test manual pump operation, follow these steps:

1. Connect a discharge hose to the pump's discharge port.
2. Place pump into a basin or test reservoir.
3. Direct the opposite end of the discharge hose back into the basin or test reservoir so that the water discharged from the hose during testing will be contained within the basin or test reservoir. Secure the hose to prevent the water pressure created during testing from causing the hose to exit the basin or test reservoir.
4. If there is a valve on the discharge hose, be sure the valve is open.
5. Using a separate water source, fill the basin or test reservoir until the pump is fully submerged.

**IMPORTANT:** Do not attempt to run the pump without water; this could result in permanent damage to the pump. Do not overfill the basin or test reservoir.

6. If the pump is provided with an attachment plug on the power cord, plug the pump's power cord into a ground fault circuit interrupter (GFCI) receptacle with voltage consistent with the pump voltage, as indicated on the nameplate.

7. If the pump is hardwired, turn on the circuit breaker for the pump's power circuit.
8. Confirm that the pump is functioning as intended.

**NOTE:** It is normal for a stream of water to spray from the air bleed hole in the pump's plumbing. Confirm that this spray is captured within the basin.

9. If pump is not functioning as intended, disconnect power from the pump and refer to [“Trouble-shooting” on page 8](#). If the solution still cannot be found, please contact the place of purchase or an authorized service center.
10. If the pump is functioning as intended, disconnect power from the pump before attempting to remove it from the basin or test reservoir.

## MAINTENANCE

### ▲ WARNING



**Risk of severe injury or death by electrical shock, high temperatures, or pressurized fluids.**

- Always unplug the pump power cord in addition to removing the fuse or shutting off the circuit breaker before working on the pump or switch.
- Let pump cool for a minimum of 2 hours before attempting to service. Submersible pumps contain oil that becomes pressurized and hot under normal operating conditions.

### NOTICE

**Risk of damage to pump or other equipment.**

- This unit is permanently lubricated. Oiling is not required. Do not open the sealed portion of the unit or remove housing screws.
- Do not remove the motor housing cover, impeller or seals. Warranty is void if the motor housing cover, impeller, or seals have been removed. Repairs on the motor or impeller require special tools.

## Periodic Service

Inspect and test the pump system condition and operation every three months—more frequently in heavy use applications.

1. Check the power cords and electrical outlet for damage or corrosion.

**IMPORTANT:** If the power cord is damaged, the whole unit must be replaced.

2. Remove all debris (gravel, sand, floating debris, etc.) from the basin.
3. Check the pump system components (basin, pump, switch, etc.) for any build-up (sludge, sediment, minerals, etc.) that would inhibit functionality of the components. If significant, remove build-up or replace affected components.
4. Confirm that all flexible coupling hose clamps are fully engaged with plumbing and fully tightened.
5. Test operation of the pump system. Refer to [“Operation Testing” on page 5](#).
6. While the pump is running, make sure a stream of water is escaping from the air bleed hole. If not, clear the hole of any deposits or debris.

## MAINTENANCE Troubleshooting

### Cleaning Impeller and Volute

1. Remove the four bolts (1) that hold the volute to the motor housing. Then separate the volute from the motor housing.

**IMPORTANT:** Do not remove the motor housing bolts or screws (2).

2. Clean the impeller and the volute passage.
3. Be sure the impeller turns freely.
4. Reattach the volute to the motor housing and secure it with the four bolts.



### Troubleshooting

Problem	Probable Causes	Corrective Action
Pump does not turn on	Pump not plugged in.	Plug in pump.
	Circuit breaker off or fuse removed.	Turn on circuit breaker or replace fuse.
	Accumulation of trash on float.	Clean float.
	Float obstruction.	Check float path and provide clearance.
	Defective switch.	Replace switch.
Pump will not shut off	Defective motor.	Replace pump.
	Float or float rod obstruction.	Check float and float rod path and provide clearance.
	Pump is air locked.	Remove pump and clean air bleed hole.
	Liquid inflow matches pump capacity.	Larger pump required.
Pump runs but does not discharge liquid	Defective switch.	Replace switch.
	Check valve installed backwards.	Check flow indicating arrow on check valve body to ensure proper installation.
	Check valve stuck or plugged.	Remove check valve and inspect for proper operation.
	Lift too high for pump.	Check rated pump performance.
	Inlet to impeller plugged.	Pull pump and clean.
Pump does not deliver rated capacity	Pump is air locked.	Remove pump and clean air bleed hole.
	Lift too high for pump.	Check rated pump performance.
	Low voltage, speed too slow.	Check that supply voltage matches the nameplate rating.
	Impeller or discharge pipe is clogged.	Pull pump and clean. Check pipe for scale or corrosion.
Pump cycles continuously	Impeller wear due to abrasives.	Replace pump.
	No check valve in long discharge pipe allowing liquid to drain back into basin.	Install a check valve in discharge line.
	Check valve leaking.	Inspect check valve for correct operation.
Water sprays out of a hole in the discharge pipe.	Basin too small for inflow.	Install larger basin.
	There should be a bleed hole in the discharge pipe that allows trapped air to escape from the pump, preventing air lock. Water spraying out of this hole is completely normal.	No corrective action is required.



For technical assistance, parts, or repair, please contact:

**800.701.7894** | [littlegiant.com](http://littlegiant.com)

Form 10000004899 Rev. 001 12/20

**LittleGIANT®**

Franklin Electric Co., Inc. | Oklahoma City, OK 73157-2010

Copyright © 2020, Franklin Electric Co., Inc. All rights reserved.

## Bomba de efluentes de la serie 12E

Esta bomba sumergible está diseñada para su uso en cuencas o estaciones de bombeo y es adecuada para bombear agua limpia o aguas residuales de color gris con semisólidos esféricos de hasta 3/4 pulgada (19 mm). No use la bomba en aplicaciones donde haya aguas residuales u otros desechos (grava, arena, desechos flotantes, etc.), abrasivos o corrosivos.

El motor de la bomba está equipado con un protector térmico de reinicio automático y puede reiniciarse de manera inesperada. La activación del protector térmico indica que el motor está sobrecargado o sobrecalentado, lo cual puede deberse a problemas de la aplicación, como un impulsor obstruido de la bomba, un interruptor atascado en la posición de encendido, una marcha en seco de la bomba, una bomba obturada por aire, un ciclo corto de la bomba, una alimentación de voltaje excesivamente alta o baja, o bien una bomba, motor, cojinetes- o sello que tal vez hayan llegado al final de su vida útil.

Este producto está cubierto por una garantía limitada por un período de 36 meses desde la fecha original de compra por parte del consumidor. Para obtener información completa sobre la garantía, consulte [www.LittleGiant.com](http://www.LittleGiant.com).



## Especificaciones

Modeló	HP	Volts	Hercios	Amperios		Watts	Nivel ON	Nivel OFF
				FLA	Comienzo			
12E-CIM							N/A	N/A
12E-CIA-RF	1/2	115	60	10	18	1100	30.48 cm - 38.1 cm (12 pulg - 15 pulg)	15.24 cm - 20.32 cm (6 pulg - 8 pulg)

## INSTRUCCIONES SOBRE SEGURIDAD

La instalación y el mantenimiento de este equipo deben estar a cargo de personal con capacitación técnica que esté familiarizado con la correcta elección y uso de las herramientas, equipos y procedimientos adecuados. El hecho de no cumplir con los códigos eléctricos y de plomería nacionales y locales y con las recomendaciones de Little Giant puede provocar peligros de descarga eléctrica o incendio, desempeños insatisfactorios o fallas del equipo.

Lea y siga las instrucciones cuidadosamente para evitar lesiones y daños a los bienes. No desarme ni repare la unidad salvo que esté descrito en este manual.

Consulte las placas de características del producto para obtener instrucciones de operación, precauciones y especificaciones adicionales.

El hecho de no seguir los procedimientos de instalación o funcionamiento y todos los códigos aplicables puede ocasionar los siguientes peligros:

### ▲ PELIGRO



#### Riesgo de muerte, lesiones personales o daños materiales por explosión, incendio o descarga eléctrica.

- No usar para bombear líquidos inflamables, combustibles o explosivos como gasolina, fueloil, kerosene, etc.
- No usar en atmósferas explosivas ni lugares peligrosos según la clasificación de la NEC, ANSI/NFPA70.
- No manipule la bomba ni el motor de la bomba con las manos mojadas o parado sobre una superficie mojada o húmeda o en agua.
- Cuando haya una bomba en su aplicación, no toque el motor, las tuberías ni el agua sino hasta haber desenchufado o eléctricamente desconectado la unidad.
- Si la desconexión de alimentación está fuera del sitio, bloquéela en la posición abierta y etiquétela para evitar una conexión inesperada de la alimentación.
- Si no se tuviera acceso al panel de desconexión, comuníquese con la compañía eléctrica para interrumpir el servicio.

### ▲ ADVERTENCIA



#### Esta unidad tiene voltajes elevados que son capaces de provocar lesiones graves o muerte por descarga eléctrica.

- Para reducir el riesgo de descarga eléctrica, desconecte la energía antes de trabajar en el sistema o cerca de él. Es posible que sea necesario más de un interruptor de desconexión para cortar la energía del equipo antes de realizarle un mantenimiento.
- Este producto viene con un conductor a tierra y un enchufe con conexión a tierra. Para reducir el riesgo de descarga eléctrica, asegúrese que se conecte solo a un receptáculo del tipo con conexión a tierra que esté conectado apropiadamente a tierra. La tercer punta es para conectar la bomba a tierra con el fin de evitar posibles peligros de descarga eléctrica. No retire la tercera punta del enchufe. No use un cable de extensión.
- Revise los tomacorrientes con un analizador de circuito para garantizar que los cables de alimentación, neutro y a tierra estén conectados correctamente. De lo contrario, un electricista calificado y autorizado deberá rectificar el problema.
- Cablee el sistema de bombeo para los voltajes correctos.
- Compruebe los códigos eléctricos y de construcción locales antes de la instalación. La instalación debe estar de acuerdo con sus regulaciones, así como el National Electrical Code (NEC) más reciente y la ley de Seguridad y Salud Ocupacionales (OSHA).
- El conjunto de cable flexible con camisa montado en la bomba no debe modificarse de ninguna manera, con la excepción de acortar el cable para que encaje en un panel de control. Cualquier empalme entre la bomba y el panel de control debe hacerse dentro de una caja de conexiones montada fuera del depósito y cumplir con el Código Eléctrico Nacional. Emplear a un electricista con licencia.
- No use el cable eléctrico para levantar la bomba.
- La bomba únicamente ha sido evaluada para su uso con agua. La bomba solo se debe utilizar con líquidos compatibles con los materiales que componen la bomba. Si la bomba se utiliza con líquidos incompatibles con los componentes de la bomba, el líquido puede causar fallas en el sistema de aislamiento eléctrico, lo que resulta en una descarga eléctrica.

### ▲ PRECAUCIÓN



#### Riesgo de lesiones corporales, descargas eléctricas o daños al equipo.

- Este equipo no deben usarlo niños ni personas con capacidades físicas, sensoriales o mentales reducidas, ni aquellos que carezcan de experiencia y capacitación, salvo que estén bajo supervisión o instrucción. Los niños no podrán usar el equipo ni jugar con la unidad o en las cercanías inmediatas.
- El equipo puede encenderse en forma automática. Siempre desenchufe el cable eléctrico de la bomba y desconecte la alimentación eléctrica antes de realizar el mantenimiento de la bomba o del interruptor.
- Una bomba que no funciona o funciona mal podría provocar una inundación y provocar lesiones personales o daños materiales.
- En aplicaciones donde una bomba no operativa o con fugas podría producir daños materiales o lesiones personales debido a interrupciones en el suministro eléctrico, obstrucciones en la línea de descarga u otros motivos, se debe instalar un sistema de respaldo automático y/o una alarma.
- No haga funcionar vacía la bomba. Si la hace funcionar vacía, la temperatura de la superficie de la bomba aumentará al punto que podría provocar quemaduras si se la toca y le causará serios daños a su bomba.
- No aplique aceite a el motor. Esta unidad es permanentemente lubricada. El engrase no es requerido. El alojamiento de motor de la bomba es sellado. No abra la porción sellada de la unidad o quite tornillos de alojamiento. La apertura del alojamiento de motor podría causar la sacudida eléctrica seria y/o el daño permanente a la bomba.
- La operación de este equipo exige instrucciones detalladas para su instalación y operación que se encuentran en este manual para su uso con este producto. Lea la totalidad del manual antes de comenzar la instalación y la operación. El usuario final debe recibir y conservar el manual para usos futuros.
- Mantenga las etiquetas de seguridad limpias y en buenas condiciones.

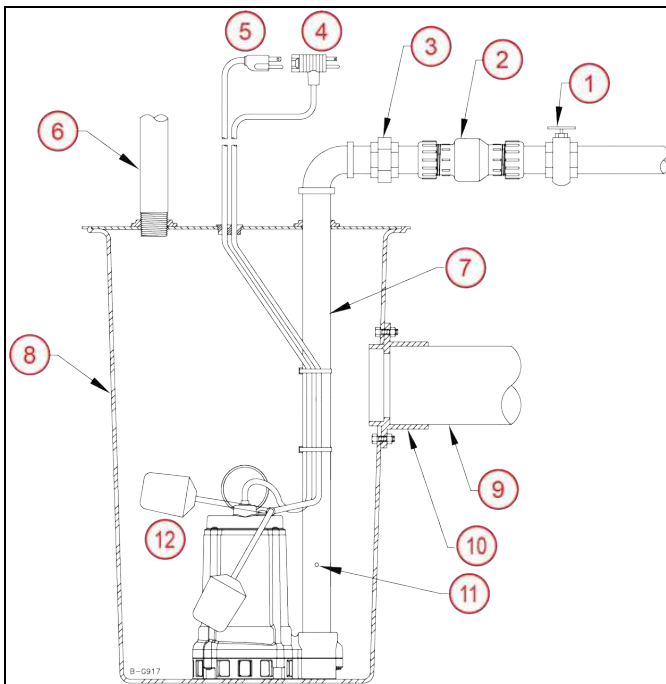
**AVISO**

**Riesgo de daños a bomba u otros equipos.**

- No use esta bomba para bombear agua de mar, bebidas, ácidos, soluciones químicas u otros líquidos que provoquen corrosión, ya que eso puede dañar la bomba.
- No haga funcionar vacía la bomba. Para una refrigeración óptima y prolongar la vida útil del motor, el nivel de líquido que se bombea debería estar comúnmente por encima de la parte superior de la carcasa de la bomba.
- Esta bomba no es apta para aplicaciones en estanques.

## INSTALACIÓN

### Instalación típica



1. Válvula de compuerta
  2. Válvula de retención
  3. Unión
  4. Interruptor de flotador enchufe de alimentación
  5. Enchufe de alimentación de la bomba
  6. Ventilación
  7. Descarga
  8. Depósito impermeable a los gases
  9. Toma
  10. Cubo de calafateo
  11. Orificio de purga de aire de 3/16 pulg.
  12. El flotador adjunto
- Consulte "[Especificaciones](#)" en la [página 9](#) para el nivel ON y el nivel OFF.

## Instalación física

### AVISO

#### Riesgo de daños materiales por inundaciones.

- No instale la válvula de retención en posición vertical, ya que los sólidos pueden depositarse en la válvula y evitar que la válvula se abra al arrancar. Para obtener el mejor rendimiento de la válvula de retención al manipular sólidos, instálela en posición horizontal o en un ángulo de no más de 45 °.
  - Cuando se utiliza una válvula de retención, perforo un orificio de alivio (1/8 pulg. [0,31 cm] o 3/16 pulg. [0,47 cm] de diámetro) en la tubería de descarga. Este orificio debe estar ubicado debajo de la línea del suelo entre la descarga de la bomba y la válvula de retención. A menos que se proporcione el orificio de alivio, la bomba podría “bloquear el aire” y no bombeará agua, aunque sí funcionará.
1. Instale la bomba en una cuenca adecuada y hermética al gas que tenga al menos 18 pulg. de diámetro y 24 pulg. de profundidad y se ventila de acuerdo con los códigos de fontanería locales.
    - Limpie los residuos del recipiente y coloque la bomba en el centro del recipiente.
    - Consulte [“Instalación típica” en la página 11](#).
    - Un fondo sólido evitará la obstrucción de la bomba por arena y suciedad.
  2. Coloque el cuenca y la bomba sobre una superficie dura y nivelada.
    - Nunca coloque la bomba directamente sobre arcilla, tierra o superficies de grava. Estas superficies contienen pequeñas piedras, gravas, arena, etc. que pueden obstruir o dañar la bomba y causar fallas en esta.
  3. No intente restringir el lateral de acceso de estas bombas. Al restringir el acceso puede ocasionar daños en el sello y en la bomba.
    - Si requiere de velocidades de flujo reducidas, coloque una válvula en el lateral de descarga de la bomba.
    - Si se usan tuberías flexibles de vinilo, se puede usar una abrazadera en las tuberías para restringir el flujo.
  4. Sostenga la bomba y la tubería y conecte la tubería de descarga. Use compuesto para juntas de tuberías en todas las conexiones.
    - Si esto no se realiza, la tubería se puede romper, la bomba puede tener fallas, los cojinetes del motor pueden tener fallas, etc.
    - La tubería de descarga debe ser lo más corta posible y contener la menor cantidad de codos posible. La tubería de descarga debe tener el mismo diámetro que el tamaño de descarga para reducir las pérdidas por fricción de la tubería. Una tubería más pequeña restringirá la capacidad y reducirá el rendimiento de la bomba.
    - Estas bombas están disponibles con descarga de rosca hembra de 2 pulgadas NPT.
    - Instale una unión en la línea de descarga, justo por encima de la cubierta del recipiente, para poder retirar fácilmente la bomba para limpiarla o repararla.
  5. Instalar una válvula de retención en la línea de descarga para evitar el reflujo de líquido hacia la cuenca.
    - La válvula de retención debe ser una válvula de flujo libre que pase fácilmente sólidos de 3/4 pulgadas (1.91 mm).
  6. Fije los cables de la bomba y del interruptor a la tubería de descarga utilizando cinta aislante para mantener los cables de alimentación seguros y lejos de la entrada a la bomba y de cualquier flotante de control.

7. Pruebe la operación del sistema de bomba. Consulte [“Prueba de operación” en la página 14.](#)

**IMPORTANTE:** No intente operar la bomba sin agua; esto dañará los sellos y los rodamientos, y podría dar lugar a un daño permanente en la bomba.

8. Coloque una cubierta sobre el recipiente. Esta cubierta ayudará a evitar que los residuos ingresen a la fosa y la protegerá de lesiones accidentales.

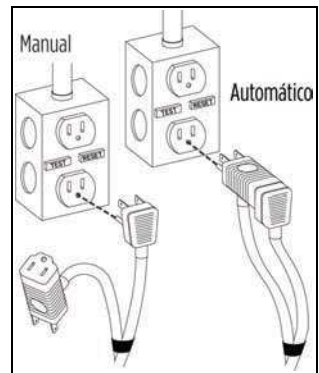
## Conexiones eléctricas

Conecte el cable de alimentación a una fuente constante de energía que coincida con el voltaje en la placa de identificación de la bomba.

- La bomba se debe conectar o cablear en su propio circuito sin otras salidas o equipos en la línea de circuito. No lo conecte a un ventilador ni a un dispositivo que funcione de manera intermitente.
- Los fusibles y el disyuntor deben tener una capacidad amplia en el circuito eléctrico.
- Conéctese a un circuito equipado con un dispositivo interruptor de circuito por falla de conexión a tierra (GFC) si es requerido por el código.

**IMPORTANTE:** Si el cable de alimentación está dañado, se debe reemplazar la unidad en su totalidad.

La bomba 12E-CIA-RF con un interruptor de flotador atado o vertical incluye dos cables de alimentación con un enchufe piggy-back en el cable del interruptor. Para una operación automática, enchufe el cable de la bomba al cable del interruptor. Enchufe el cable del interruptor (conectado al cable de la bomba) a un tomacorriente GFCI.



## PRUEBA DE OPERACIÓN

### AVISO

#### Riesgo de daños a bomba u otros equipos.

- No intente hacer funcionar la bomba sin agua. Eso puede provocar daños permanentes a la bomba.
- Si hace funcionar vacía la bomba, puede dañarla y anular la garantía.

Si la bomba no funciona correctamente, consulte [“Solución de problemas” en la página 17](#). Si la solución todavía no puede ser encontrada, por favor póngase en contacto con el lugar de compra o un centro de servicio autorizado.

No permita que la unidad funcione en seco (sin líquido). Está diseñada para estar refrigerada mediante el bombeo de líquido. Si la bomba funciona en seco, es posible que dañe el sello y que el motor falle.

Si la unidad estará inactiva por un tiempo, consulte [“Limpiar el impulsor y la voluta” en la página 16](#). No deje que la unidad se congele. Esto puede causar agrietamiento o deformación que, a su vez, puede destruir la unidad.

### Pruebas de funcionamiento de la bomba automática

Cuando la bomba I2E-CIA-RF se instala en un recipiente con una cubierta sellada, la operación del interruptor no se puede observar. Por lo general, la cubierta del recipiente tendrá un orificio de repuesto que está conectado al enchufe de goma. Este enchufe se puede retirar y la operación del interruptor se puede observar.

Para probar la operación del sistema, siga estos pasos:

1. Conecte la bomba a un suministro de energía adecuado que tenga un voltaje congruente con el voltaje de la bomba, como se indica en la placa de identificación de la bomba.
2. Si la línea de descarga tiene una válvula de compuerta, verifique que la válvula esté abierta.
3. Deje correr el agua hacia el recipiente hasta que la bomba se active.
4. Confirme que la bomba y su interruptor de control estén funcionando correctamente.
5. Confirme que los niveles de ENCENDIDO/APAGADO estén dentro de las especificaciones y confirme que no haya obstrucciones posibles que pudieran impedir el funcionamiento del interruptor.
6. Confirme que no haya fugas en las tuberías de descarga de la bomba ni en las tuberías de drenaje principales del hogar.

**NOTA:** Es normal que una corriente de agua rocíe desde el orificio de purga de aire en la tubería de la bomba. Confirme que este aerosol es capturado dentro de la cuenca.

7. Deje que la bomba funcione a través de múltiples ciclos de encendido/apagado.

### Prueba del interruptor flotante

Los interruptores flotantes se pueden probar en un banco con un ohmímetro para comprobar la continuidad entre las conexiones de entrada y de salida del enchufe piggyback mientras hace subir y bajar el flotante.



## Pruebas de funcionamiento de una bomba manual

### **▲ PRECAUCIÓN**



#### **Riesgo de lesiones corporales, descargas eléctricas o daños al equipo.**

- Si se instala un interruptor flotante accesorio u otro tipo de control de nivel del líquido, consulte las instrucciones del fabricante. El hecho de no instalar el dispositivo de control conforme a los códigos eléctricos y de tuberías tanto nacionales como locales y dentro de las recomendaciones del fabricante puede provocar peligros de descarga eléctrica o incendio, desempeños insatisfactorios o fallas del equipo.
- La operación manual y continua de la bomba se debe utilizar solo en caso de emergencia o cuando haya que bombear un gran volumen de agua. La bomba se debe monitorear permanentemente durante la operación y se debe desconectar de la alimentación antes de que funcione en vacío.

La 12E-CIM bomba manual no incluye un control de nivel líquido automático. La cuerda de bomba para esta bomba puede ser tapada directamente en un receptáculo correctamente basado con el voltaje consecuente con el letrero con nombre de bomba para la operación de bomba continua.

Para un funcionamiento automático de la bomba manual, se debe usar un interruptor de flotadores por separado u otro control de nivel de líquido. Si se ha agregado un interruptor de flotador o un control de nivel, consulte [“Pruebas de funcionamiento de la bomba automática” en la página 14.](#)

Para probar la bomba manual operación, siga estos pasos:

1. Conecte una manguera de descarga al orificio de descarga de la bomba.
2. Coloque la bomba en una cubeta o depósito de prueba.
3. Dirija el extremo opuesto de la manguera de descarga a la cubeta o depósito de prueba de manera que el agua descargada de la manguera durante las pruebas se contenga dentro de la cubeta o depósito de prueba. Asegure la manguera para evitar que la presión de agua creada durante las pruebas cause que la manguera salga de la cubeta o del depósito de prueba.
4. Si hay una válvula en la manguera de descarga, asegúrese de que la válvula esté abierta.
5. Utilizando una fuente de agua separada, llene la cubeta o el depósito de prueba hasta que la bomba esté completamente sumergida.

**IMPORTANTE:** No intente hacer funcionar la bomba sin agua. Eso puede provocar daños permanentes a la bomba. No sobrellene la cubeta ni el depósito de prueba.

6. Si la bomba viene con un enchufe de seguridad en el cable de alimentación, enchufe el cable de alimentación de la bomba a un receptáculo con un interruptor de circuito por falla de conexión a tierra (GFCI, por si sigla en inglés) que tenga un voltaje -congruente con el voltaje de la bomba, como se indica en la placa de identificación de la bomba.
7. Si la bomba tiene una conexión permanente, encienda el disyuntor del circuito de alimentación de la bomba.
8. Confirme que la bomba esté funcionando según lo previsto.

**NOTA:** Es normal que una corriente de agua rocíe desde el orificio de purga de aire en la tubería de la bomba. Confirme que este aerosol es capturado dentro de la cuenca.

9. Si la bomba no funciona como está previsto, desconecte la alimentación desde la bomba y consulte [“Solución de problemas” en la página 17.](#) Si la solución aún no se encuentra, póngase en contacto con el lugar de compra o un centro de servicio autorizado.
10. Si la bomba funciona como está previsto, desconecte la alimentación desde la bomba antes de tratar de retirarla de la cuenca o el depósito de prueba.

## MANTENIMIENTO

### ⚠ ADVERTENCIA



#### **Riesgo de lesiones graves o muerte por descarga eléctrica, temperaturas elevadas o líquidos presurizados.**

- Siempre desenchufe el cable eléctrico de la bomba y desconecte la alimentación eléctrica antes de realizar el mantenimiento de la bomba o del interruptor.
- Deje que la bomba se enfríe al menos 2 horas antes de intentar realizarle mantenimiento. Las bombas sumergibles contienen aceite que se presuriza y calienta en condiciones de operación normales.

### AVISO

#### **Riesgo de daños a bomba u otros equipos.**

- Está unidad está lubricada permanentemente. No requiere que se le cargue aceite. No abra la sección sellada de la unidad ni quite los tornillos de la carcasa.
- No quite la cubierta de la carcasa del motor, el impulsor o los sellos. La garantía quedará anulada si se han quitado la cubierta de la carcasa del motor, el impulsor o los sellos. Las reparaciones al motor o el impulsor requieren herramientas especiales.

## Servicio periódico

Inspeccione y pruebe el estado y el funcionamiento del sistema de la bomba cada 3 meses (con más frecuencia en aplicaciones de uso intensivo).

1. Verifique que no haya daños o corrosión en los cables de alimentación y en la salida eléctrica.

**IMPORTANTE:** Si el cable de alimentación está dañado, se debe reemplazar la unidad en su totalidad.

2. Retire todos los desechos (grava, arena, escombros flotantes, etc.) de la cuenca.
3. Revise los componentes del sistema de la bomba (recipiente, bomba, interruptor, etc.) para detectar acumulaciones (lodo, sedimentos, minerales, etc.) que podrían impedir la funcionalidad de los componentes. Si es necesario, retire la acumulación o reemplace los componentes afectados.
4. Confirme que todas las abrazaderas flexibles de la manguera de acoplamiento estén completamente enroscadas con la tubería y firmemente ajustadas.
5. Pruebe la operación del sistema de la bomba. Consulte [“Prueba de operación” en la página 14.](#)
6. Mientras la bomba esté funcionando, asegúrese de que un chorro de agua salga por el orificio de respiración. De lo contrario, limpie el orificio y retire depósitos o residuos.

## Limpiar el impulsor y la voluta

1. Retire los cuatro pernos y cuatro arandelas que fijan la voluta a la carcasa del motor (1). Luego separe la voluta del carcasa del motor.

**IMPORTANTE:** No retire la cubierta de la carcasa del motor (2).

2. Limpie el impulsor y el pasaje de la voluta.
3. Asegúrese de que el impulsor gire libremente.
4. Fije la voluta a la carcasa del motor y fíjela con los cuatro pernos y cuatro arandelas.



## Solución de problemas

Problema	Causas probables	Acción correctiva
La bomba no se enciende	La bomba no está conectada al suministro eléctrico.	Conecte la bomba a un circuito dedicado que esté equipado con GFCI.
	Disyuntor apagado o sin fusible.	Encienda el disyuntor o reemplace el fusible.
	Acumulación de basura o residuos sobre el flotante.	Limpie el flotante.
	Obstrucción del flotante.	Revise el recorrido del flotante y deje espacio libre.
	Interruptor defectuoso.	Reemplace el interruptor.
La bomba no se apaga	Motor defectuoso.	Reemplace la bomba.
	Obstrucción del flotante.	Revise el recorrido del flotante y deje espacio libre.
	La bomba está obturada por aire.	Si está obstruido, quite la obstrucción del orificio de ventilación.
La bomba funciona pero no descarga líquido	El flujo de entrada de líquido coincide con la capacidad de la bomba.	Se requiere una bomba más grande.
	Interruptor defectuoso.	Reemplace el interruptor.
	Válvula de retención instalada al revés.	Revise en el cuerpo de la válvula de retención la flecha que indica la dirección de flujo para garantizar que la instalación sea correcta.
	Válvula de retención atascada u obstruida.	Quite la válvula de retención y revísela para comprobar que funcione bien.
La bomba no cumple con la capacidad nominal	Elevación demasiado alta para la bomba.	Revise el desempeño nominal de la bomba.
	Bajo voltaje, velocidad demasiado lenta.	Compruebe que el voltaje suministrado coincida con la capacidad nominal en la placa de identificación.
	El impulsor o la tubería de descarga están obstruidos.	Quite la bomba y límpiela. Revise si la tubería tiene sarro o señales de corrosión.
	Desgaste del impulsor debido a abrasivos.	Reemplace la bomba.
Ciclos de bomba continuamente	Ausencia de válvula de retención en una tubería de descarga larga, lo que permite que el líquido vuelva a drenar hacia la cuenca.	Instale una válvula de retención en la línea de descarga.
	Desgaste del impulsor causado por abrasivos.	Inspeccione que la válvula de retención funcione correctamente.
	La cuenca es demasiado pequeña para el flujo de entrada.	Instale una cuenca más grande.
Sale agua de un orificio en la base de la unidad.	Esta bomba viene con un orificio de purga que permite la salida del agua atrapada de la bomba, lo que evita que quede obstruida por aire. La salida de agua por este orificio es completamente normal.	No se requiere ninguna acción correctiva.



Para la ayuda técnica, por favor póngase en contacto:

**800.701.7894** | **littlegiant.com**

Form 10000004899 Rev. 001 12/20

**LittleGIANT®**

Franklin Electric Co., Inc. | Oklahoma City, OK 73157-2010

Copyright © 2020, Franklin Electric, Co., Inc. Todos los derechos están reservados.

## Pompe d'effluent de série 12E

Cette pompe submersible est conçue à l'utilisation dans les cuvettes ou les stations fonctionnantes et est convenable pour pomper de l'eau propre ou de l'effluent l'eau grise avec jusqu'à 19 mm (3/4 po.) semi-solides sphérique. N'utilisez pas la pompe dans les applications où les eaux d'égouts ou autres débris (le gravier, le sable, en lançant des débris, etc.), des abrasifs, ou des corrosifs sont présents.

Le moteur de la pompe est doté d'un disjoncteur thermique à réenclenchement automatique et peut redémarrer inopinément. Le déclenchement du disjoncteur thermique indique une surcharge ou une surchauffe du moteur, qui peut être causée par des problèmes d'application comme l'obstruction d'une roue de la pompe, le blocage de l'interrupteur en position ON, le fonctionnement à sec de la pompe, le blocage de la pompe par de l'air, le fonctionnement de la pompe en cycles courts, une tension d'alimentation trop élevée ou trop basse, ou, éventuellement, une pompe, un moteur, des roulements ou un joint ayant atteint la fin de sa/leur vie utile.

Ce produit est couvert par une garantie limitée pour une période de 36 mois à compter de la date d'achat originale par le consommateur. Pour obtenir des informations complètes sur la garantie, consultez [www.LittleGiant.com](http://www.LittleGiant.com).



## Spécifications

Modèle	CH	Volts	Hz	Ampères		Watts	SUR le niveau	ARRÊTEZ le niveau
				FLA	Commencer			
12E-CIM							N/A	N/A
12E-CIA-RF	1/2	115	60	10	18	1100	30,48 cm - 38,1 cm (12 po - 15 po)	15,24 cm - 20,32 cm (6 po - 8 po)

## CONSIGNES DE SÉCURITÉ

Cet équipement doit être installé et entretenu par des techniciens qualifiés capables de choisir et d'utiliser les outils, les équipements et les procédures appropriés. Le non-respect des codes électriques et codes de plomberie local et national et des recommandations de Little Giant pourrait mener à une électrocution ou un incendie, une mauvaise performance ou une défaillance de l'équipement.

Lisez et suivez attentivement les instructions pour éviter toute blessure ou tout dommage matériel. Ne démontez pas et ne réparez pas l'appareil si ces opérations ne sont pas décrites dans le présent manuel.

Le non-respect des procédures d'installation ou d'utilisation et de tous les codes en vigueur peut entraîner les risques suivants:

### ⚠ DANGER



#### Risque de mort, de blessure corporelle ou de dommage matériel en raison d'une explosion, d'un incendie ou d'une électrocution.

- Ne pas utiliser pour pomper des liquides inflammables, combustibles ou explosifs comme l'essence, le mazout, le kérosène, etc.
- Ne pas utiliser dans une atmosphère explosive ou un emplacement dangereux selon le Code national de l'électricité, ANSI/NFPA70.
- Ne pas manipuler une pompe ou un moteur de pompe avec les mains mouillées ou debout sur une surface humide ou mouillée, ou dans de l'eau.
- Lorsqu'une pompe est en mode de fonctionnement, ne pas toucher le moteur, les tuyaux ou l'eau tant que l'unité n'a pas été débranchée ou déconnectée électriquement.
- Si le dispositif de coupure du circuit d'alimentation se situe hors site, le verrouiller en position ouverte et le consigner afin d'empêcher toute mise sous tension inopinée.
- Si le panneau du disjoncteur n'est pas accessible, contacter la compagnie d'électricité afin que le courant soit coupé.

### ⚠ AVERTISSEMENT



#### Cet appareil contient des tensions élevées susceptibles d'entraîner par choc électrique des blessures graves ou la mort.

- Pour réduire le risque de choc électrique, débranchez l'alimentation avant de travailler sur le système ou autour de celui-ci. Plusieurs interrupteurs d'isolement peuvent être nécessaires pour décharger l'équipement avant de procéder à son entretien.
- Ce produit est fourni avec un conducteur de mise à la terre et une fiche munie d'une attache de mise à la terre. Pour réduire le risque de décharge électrique, assurez-vous de seulement brancher la pompe à une prise électrique correctement mise à la terre. Ne retirez pas la troisième branche de la fiche. La troisième branche sert à la mise à la terre de la pompe, afin de prévenir tout risque possible de décharge électrique. N'utilisez pas un cordon de rallonge.
- Vérifier les prises électriques à l'aide d'un analyseur de circuit pour s'assurer que les fils de phase, de neutre et de terre sont correctement branchés. Si ce n'est pas le cas, le problème doit être corrigé par un électricien qualifié agréé.
- Raccorder le système de pompe en respectant la tension indiquée.
- Vérifiez les codes locaux d'électricité et de bâtiment avant l'installation. L'installation doit être conforme à la réglementation ainsi qu'au NEC (Code américain de l'électricité) le plus récent et l'OSHA (loi sur la santé et la sécurité au travail des États-Unis).
- Le cordon flexible enveloppé monté sur la pompe ne peut être modifié d'aucune manière que ce soit. Il peut uniquement être raccourci si cela est nécessaire pour le faire rentrer dans le panneau de commande. Toute épissure entre la pompe et le panneau de commande doit être réalisée dans une boîte de jonction en conformité avec le code national de l'électricité. Faire appel à un électricien agréé.
- Ne pas soulever la pompe à l'aide du cordon électrique.
- La pompe a été évaluée pour être utilisée avec de l'eau uniquement. La pompe doit être utilisée uniquement avec des liquides compatibles avec les matériaux de ses composants. Si la pompe est utilisée avec des liquides incompatibles avec les composants de la pompe, le liquide peut provoquer une défaillance du système d'isolation électrique entraînant un choc électrique.

### ⚠ ATTENTION



#### Risque de blessure, de choc électrique ou de dégâts matériels.

- Cet équipement ne doit pas être utilisé par des enfants ou des personnes aux capacités physiques, sensorielles ou cognitives réduites, ou par des personnes n'ayant pas l'expérience ou l'expertise appropriée, sauf si ces personnes sont supervisées ou ont reçu des instructions à cet effet. Les enfants ne doivent pas utiliser l'équipement ni jouer avec l'appareil ou dans sa proximité immédiate.
- L'équipement peut démarrer automatiquement. Effectuer les procédures de verrouillage/étiquetage avant d'entretenir l'équipement.
- Une pompe inopérante ou défectueuse pourrait entraîner une inondation, des blessures corporelles ou des dommages matériels.
- Dans les applications où des dommages matériels et/ou des blessures corporelles pourraient découler du non-fonctionnement ou d'une fuite de la pompe en raison de pannes de courant, d'une obstruction de la ligne d'évacuation ou de toute autre raison, un système de sauvegarde automatique et/ou une alarme doivent être installés.
- Ne pas faire fonctionner la pompe à sec. En cas de fonctionnement à sec, la température à la surface de la pompe augmentera à un niveau susceptible de causer des brûlures cutanées en cas de contact et entraînera de graves dommages à votre pompe.
- Ne pas graisser le moteur. Le carter moteur de la pompe est scellé et renferme une huile diélectrique de qualité supérieure pour la transmission de chaleur et la lubrification à vie. L'utilisation d'autres huiles peut causer de graves électrocutions et/ou des dommages permanents de la pompe.
- L'utilisation de cet équipement nécessite les instructions d'installation et d'utilisation détaillées fournies dans le présent manuel à utiliser avec ce produit. Lisez le manuel intégralement avant de procéder à l'installation et à l'utilisation du produit. L'utilisateur final doit recevoir et conserver le manuel pour consultation ultérieure.
- Garder les étiquettes de sécurité propres et en bon état.

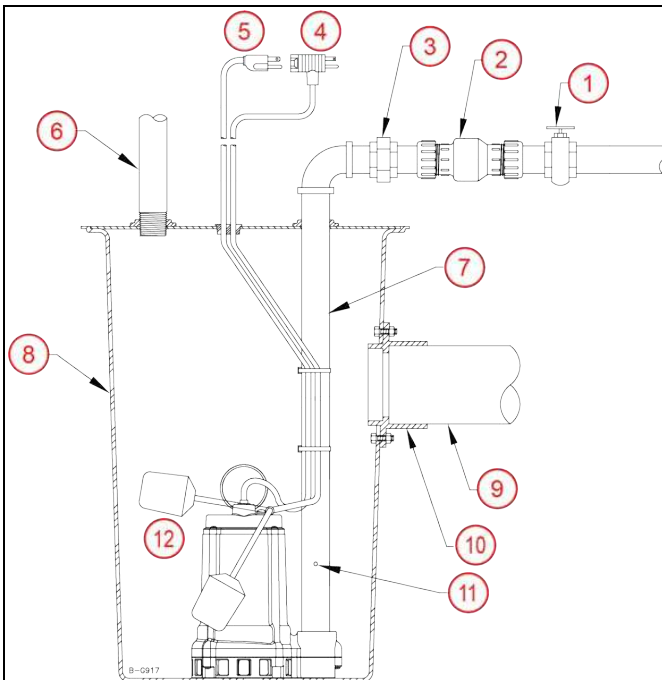
**AVIS**

**Risque de dommages à la pompe ou d'autres équipements.**

- Ne pas utiliser la pompe pour pomper de l'eau de mer, des boissons, de l'acide, des solutions chimiques ou tout autre liquide qui favoriserait la corrosion, ce qui pourrait endommager la pompe.
- Ne pas faire tourner la pompe à sec. Pour obtenir un refroidissement optimal et pour prolonger la durée de vie de la pompe, le niveau de liquide pompé doit normalement dépasser le dessus du boîtier de la pompe.
- Cette pompe n'est pas prévue pour être utilisée dans un étang.

## INSTALLATION

### Installation typique



1. Clapet de la vanne
  2. Clapet de retenue
  3. Raccord
  4. Corde de pouvoir de changement de flotteur
  5. Corde de pouvoir de pompe
  6. Aération
  7. Tuyau de sortie
  8. Bassin étanche aux gaz
  9. Entrée
  10. Collet d'étanchéité
  11. Orifice de prise d'air de 3/16 po
  12. Le changement de flotteur attaché
- Consultez [« Spécifications » page 19](#) pour les niveaux sur et arrêté.

## Installation physique

### AVIS

#### Risque de dommages matériels dus aux inondations.

- Afin d'obtenir une performance maximale des clapets de retenue pendant le pompage de matières solides, installer les clapets à l'horizontale ou à un angle ne dépassant pas 45°. Éviter de les installer à la verticale, car des matières solides pourraient rester coincées dans le clapet et empêcher son ouverture lors de la mise en marche de la pompe.
- Lorsqu'un clapet anti-retour est utilisé, percez un orifice de sûreté (de 1/8 po ou 3/16 po [3,2 mm ou 4,8 mm] de diamètre) dans le tuyau de refoulement. Cet orifice doit être situé sous le niveau du plancher, entre le refoulement de la pompe et le clapet anti-retour. Si un tel orifice de sûreté n'est pas percé, la pompe peut être « bloquée par de l'air » et ne pas pomper d'eau, même si elle est en marche.

1. Installez la pompe dans un bassin approprié d'au moins 45,7 cm (18 po) de diamètre et 61 cm (24 po) de profondeur conformément aux codes locaux de plomberie.
  - Enlevez tout débris dans le bassin et placez la pompe au centre de ce dernier.
  - Consultez « [Installation typique](#) » page 21.
  - Un fond solide prévient l'obstruction de la pompe du sable et de la crasse.
2. Placez l'ensemble pompe-bassin sur une surface dure et de niveau.
  - Ne placez jamais la pompe directement sur une surface d'argile, de terre ou de gravier. Ces surfaces comportent de petites roches, du gravier, du sable, etc., qui peuvent obstruer ou endommager la pompe et provoquer sa défaillance.
3. N'essayez pas de restreindre le côté prise de ces pompes. La restriction de la prise peut endommager le joint d'étanchéité et sous-alimenter la pompe.
  - S'il est nécessaire de réduire les débits, une soupape peut être installée sur le côté refoulement de la pompe.
  - Si un tuyau flexible en vinyle est utilisé, une bride peut être utilisée sur le tuyau pour restreindre le débit.
4. Soutenez la pompe et la tuyauterie et connectez la tuyauterie de refoulement. Utilisez une pâte à joint de tuyau sur toutes les connexions.
  - Le fait de ne pas soutenir la pompe et la tuyauterie pourrait entraîner la rupture des tuyaux, la défaillance de la pompe, la défaillance des paliers du moteur, etc.
  - Le tuyau de refoulement doit être aussi court que possible et comporter le moins de coudes possible. Le tuyau de refoulement doit avoir un diamètre supérieur ou égal à la taille de refoulement de la pompe. Un tuyau de diamètre inférieur limitera les capacités et réduira le rendement de la pompe.
  - La pompe est fournie avec un tuyau de refoulement à filetage femelle NPT de 50,8 mm (2 po).
  - Installez toujours un raccord union dans le conduit de refoulement, juste au-dessus du couvercle de bassin, afin de permettre le retrait facile de la pompe à des fins de nettoyage ou de réparation.
5. Installez un clapet de non-retour à la ligne de renvoi pour prévenir backflow de liquide dans la cuvette.
  - Le clapet de non-retour devrait être une valve d'écoulement libre qui passera facilement solides de 1,91 mm (3/4 po).
6. Enregistrez la pompe et échangez des cordes à la ligne de renvoi avec la bande électrique. Cela protégera la corde du dommage.

7. Testez le fonctionnement du système. Consultez [« Test de fonctionnement » page 24.](#)

**IMPORTANT:** Ne tentez pas de faire fonctionner la pompe sans eau; cela endommagerait les joints d'étanchéité et les paliers et risquerait de provoquer des dommages permanents à la pompe.

8. Placez le couvercle par-dessus le bassin. Ce couvercle aide à empêcher des débris d'entrer dans le bassin et protège contre les blessures accidentelles.

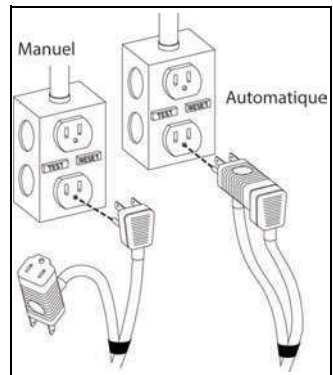
## Connexions électriques

Raccordez le cordon d'alimentation à une source d'alimentation électrique constante qui correspond à la plaque signalétique de la pompe.

- La pompe doit être connectée ou branchée sur son propre circuit, sans autre prise ou équipement sur la ligne du circuit. Ne le raccordez pas à un ventilateur ou à tout dispositif fonctionnant par intermittence.
- Les fusibles et les disjoncteurs doivent être d'une capacité suffisante dans le circuit électrique.
- Assurez-vous que cette pompe est raccordée à un circuit doté d'un disjoncteur différentiel de fuite à la terre (DDFT) si requis par le code.

**IMPORTANT:** Si le cordon d'alimentation est endommagé, l'unité entière doit être remplacée.

La pompe 12E-CIA-RF est équipée de commutateur automatique muni de bouchon de feroutage sur le cordon d'aiguillage. Pour le fonctionnement automatique, branchez le cordon de la pompe dans le cordon d'aiguillage. Branchez le cordon d'aiguillage (avec cordon de pompe attaché) dans la prise DDFT.



## TEST DE FONCTIONNEMENT

### AVIS

#### Risque de dommages à la pompe ou d'autres équipements.

- Ne pas essayer de faire fonctionner la pompe sans eau, au risque de l'endommager définitivement.
- Le fonctionnement à sec de la pompe peut endommager celle-ci et annuler la garantie.

Si la pompe ne fonctionne pas correctement, consultez [« Dépannage » page 27](#). Si le problème ne peut toujours pas être identifié, veuillez communiquer avec le vendeur.

Ne laissez pas l'unité fonctionner à vide (sans liquide). Elle est conçue pour être refroidie par le fluide pompé. Vous pouvez endommager le joint d'étanchéité et faire défaillir le moteur si la pompe fonctionne à vide.

Si l'unité doit être laissée inutilisée pendant une certaine période, consultez [« Nettoyage de l'impulseur et de la volute » page 26](#). Ne laissez pas l'unité geler. Cela peut causer des fissures ou des distorsions qui peuvent détruire l'unité.

## Test de fonctionnement de pompe automatique

Lorsque la pompe 12E-CIA-RF est installée dans un bassin avec un couvercle scellé, le fonctionnement de l'interrupteur ne peut pas être observé. Le couvercle de bassin comporte habituellement un trou de recharge qui peut être bouché avec un bouchon en caoutchouc. Ce bouchon peut être retiré pour observer le fonctionnement de l'interrupteur.

Pour tester le fonctionnement du système, procéder comme suit :

1. Branchez le cordon d'alimentation dans une prise mise à la terre dont la tension est cohérente avec la tension de la pompe indiquée sur la plaque signalétique de celle-ci.
2. Assurez-vous que le robinet-vanne du conduit de refoulement est ouvert.
3. Faites couler de l'eau dans le bassin jusqu'à ce que la pompe principale démarre.
4. Confirmez que la pompe et son interrupteur de commande fonctionnent comme ils le devraient.
5. Assurez-vous que les niveaux MARCHÉ-ARRÊT sont conformes aux spécifications et qu'aucune obstruction éventuelle n'est susceptible d'entraver le fonctionnement de l'interrupteur.
6. Confirmez l'absence de toute fuite dans la plomberie de refoulement de la pompe et dans le tuyau de drainage principal de la maison.

**REMARQUE:** Il est normal qu'un filet d'eau s'échappe de l'orifice de prise d'air de la plomberie de la pompe. (L'eau gicle de l'orifice d'un boulon situé à la base de l'appareil.) Assurez-vous que ce filet est recueilli à l'intérieur du bassin.

7. Laissez la pompe fonctionner pendant plusieurs cycles de marche/arrêt.

## Test de l'interrupteur à flotteur

Il est possible de tester un interrupteur à flotteur à l'aide d'un ohm-mètre pour vérifier la continuité entre les connexions d'entrée et de sortie de la fiche gigogne tout en soulevant et en abaissant le flotteur.



## Test de fonctionnement de pompe manuelle

### ⚠ ATTENTION



#### Risque de blessure corporelle ou de dommage à la pompe ou d'autres équipements.

- Si un interrupteur à flotteur auxiliaire ou tout autre dispositif de contrôle du niveau de liquide est installé, consulter les instructions du fabricant. Le non-respect des codes locaux et nationaux de l'électricité et de la plomberie, ainsi que des recommandations du fabricant, lors de l'installation de ces dispositifs de contrôle, pourrait causer un risque d'électrocution ou d'incendie, une mauvaise performance ou une défaillance de l'équipement.
- Il convient de faire fonctionner la pompe en mode manuel et continu seulement en cas d'urgence ou lorsqu'un volume d'eau important doit être pompé. La pompe doit être surveillée en permanence pendant son fonctionnement et débranchée du circuit électrique avant qu'elle ne tourne à sec.

La pompe manuelle 12E-CIM n'est pas munie d'un contrôle automatique du niveau de liquide. Le cordon de cette pompe peut être branché directement dans une prise électrique correctement mise à la terre, avec une tension cohérente à celle indiquée sur la plaque signalétique de la pompe pour un fonctionnement en continu de la pompe.

Pour un fonctionnement automatique d'une pompe manuelle, un interrupteur à flotteur séparé ou un autre dispositif de contrôle du niveau de liquide doit être utilisé. Si un commutateur float ou un contrôle de niveau a été ajouté, consultez « [Test de fonctionnement de pompe automatique](#) » page 24.

Pour tester la pompe manuelle fonctionnement, procédez comme suit :

1. Raccorder un tuyau d'évacuation à l'orifice de refoulement de la pompe.
2. Placer la pompe dans un bassin ou un réservoir d'essai.
3. Diriger l'extrémité opposée du tuyau de refoulement dans le bassin ou le réservoir d'essai de sorte que l'eau évacuée du tuyau pendant l'essai soit contenue dans le bassin ou le réservoir d'essai. Fixez le tuyau pour éviter que la pression d'eau créée pendant le test ne provoque la sortie du tuyau du bassin ou du réservoir d'essai.
4. S'il y a une valve sur le tuyau de refoulement, s'assurer que la vanne est ouverte.
5. À l'aide d'une source d'eau séparée, remplissez le bassin ou le réservoir d'essai jusqu'à ce que la pompe soit complètement immergée.

**IMPORTANT:** Ne pas essayer de faire fonctionner la pompe sans eau, au risque de l'endommager définitivement. Ne remplissez pas trop le bassin ou le réservoir d'essai.

6. Branchez le cordon d'alimentation de la pompe dans un réceptacle de disjoncteur de fuite de terre (GFCI) avec une tension compatible avec la tension de la pompe, comme indiqué sur la plaque signalétique de la pompe.
7. Si la pompe est câblée directement, allumez le disjoncteur pour le circuit de puissance de la pompe.
8. Vérifiez que la pompe fonctionne comme prévu.

**REMARQUE:** Il est normal qu'un filet d'eau s'échappe de l'orifice de prise d'air de la plomberie de la pompe. (L'eau gicle de l'orifice d'un boulon situé à la base de l'appareil.) Assurez-vous que ce filet est recueilli à l'intérieur du bassin.

9. Si la pompe ne fonctionne pas comme prévu, débranchez le cordon d'alimentation de la pompe de la prise et consultez « [Dépannage](#) » page 27. Si la solution n'est toujours pas trouvée, veuillez contacter le lieu d'achat ou un centre de service agréé.
10. Si la pompe fonctionne comme prévu, débranchez le cordon d'alimentation de la pompe de la prise de courant avant d'essayer de le retirer du bassin ou du réservoir d'essai.

## ENTRETIEN

### ⚠ AVERTISSEMENT



**Risque de blessure grave ou de mort par électrocution, température élevée ou liquide sous pression.**

- Avant d'effectuer des travaux sur la pompe ou l'interrupteur, vous devez toujours débrancher le cor-don d'alimentation de la pompe, en plus de retirer le fusible ou de couper le disjoncteur.
- Laisser la pompe refroidir pendant au moins deux heures avant toute tentative d'entretien. Les pompes immer-gées contiennent de l'huile qui devient chaude et sous pression dans des conditions normales d'utilisation.

### AVIS

**Risque de dommages à la pompe ou d'autres équipements.**

- Cette unité est lubrifiée en permanence. Aucun graissage n'est nécessaire. Ne pas ouvrir la partie scellée de l'unité ni retirer les vis du boîtier.
- Ne pas retirer le couvercle du boîtier du moteur, le rotor ou les joints. Le retrait du couvercle du boîtier du moteur, du rotor ou des joints entraînera l'annulation de la garantie. La réparation du moteur ou du rotor nécessite l'utilisation d'outils spéciaux.

## Service périodique

Inspectez et testez l'état et le fonctionnement du système de puisard tous les trois mois (plus fréquemment en cas d'utilisation intensive).

1. Inspectez les cordons d'alimentation et la prise électrique pour la présence de dommages ou de corrosion.

**IMPORTANT:** Si le cordon d'alimentation est endommagé, l'unité entière doit être remplacée.

2. Retirez tous les débris (gravier, sable, débris flottants, etc.) du bassin de puisard.
3. Passez en revue les composants du système de pompe (bassin, pompe, interrupteur, etc.) afin de détecter la présence de toute accumulation (boues, sédiments, minéraux, etc.) susceptible de nuire au bon fonctionnement des composants. Si ces accumulations sont importantes, retirez-les ou remplacez les composants touchés.
4. Confirmez que les colliers de serrage de tous les raccords flexibles sont correctement fixés et bien serrés.
5. Testez le fonctionnement du système. Consultez [« Test de fonctionnement » page 24](#).
6. Pendant le fonctionnement de la pompe, assurez-vous que de l'eau s'échappe de l'orifice de prise d'air. Sinon, retirez tous les dépôts et débris qui se trouveraient dans l'orifice.

## Nettoyage de l'impulseur et de la volute

1. Retirez les quatre boulons et les quatre rondelles qui fixent la volute au boîtier du moteur (1). Puis séparez la volute du boîtier du moteur.

**IMPORTANT:** Ne pas retirer le couvercle du boîtier du moteur (2).

2. Nettoyez le passage de volute et l'impulseur.
3. Assurez-vous que l'impulseur tourne librement.
4. Placez la volute sur le boîtier du moteur et fixez-la avec les quatre boulons.



## Dépannage

Problème	Causes probables	Mesure Corrective
La pompe ne démarre pas	La pompe n'est pas branchée.	Branchez la pompe.
	Disjoncteur éteint ou fusible retiré.	Activez le disjoncteur ou remplacez le fusible.
	Accumulation de déchets sur le flotteur.	Nettoyez le flotteur.
	Obstruction du flotteur.	Vérifiez la trajectoire du flotteur et assurez son dégagement
	Interrupteur défectueux.	Remplacer l'interrupteur.
La pompe ne s'arrête pas	Moteur défectueux.	Remplacer la pompe.
	Obstruction du flotteur ou de sa tige.	Vérifiez la trajectoire du flotteur et de sa tige et assurez leur dégagement.
	La pompe est bloquée par de l'air.	Enlever la pompe et nettoyer le trou de purge d'air.
	Le débit d'entrée de liquide atteint la capacité de la pompe.	Une pompe de plus grande taille est requise.
La pompe fonctionne, mais ne refoule pas de liquide	Interrupteur défectueux.	Remplacer l'interrupteur.
	Le clapet anti-retour est installé à l'envers.	Vérifiez la flèche qui indique le débit sur le corps du clapet anti-retour, afin de vous assurer que ce clapet est installé correctement.
	Clapet anti-retour coincé ou obstrué.	Retirez le clapet anti-retour et inspectez-le pour vérifier son bon fonctionnement.
	L'élévation est trop élevée pour la pompe.	Vérifiez le tableau des valeurs nominales.
	L'aspiration vers l'impulseur est obstruée.	Retirez la pompe et nettoyez-la.
La pompe ne fonctionne pas à sa capacité nominale	La pompe est bloquée par de l'air.	Enlever la pompe et nettoyer le trou de purge d'air.
	L'élévation est trop élevée pour la pompe.	Vérifiez le rendement nominal de la pompe.
	Faible tension, vitesse trop lente.	Vérifiez la tension appropriée d'alimentation, pour vous assurer qu'elle correspond à la tension sur la plaque signalétique.
	Le tuyau de refoulement ou l'impulseur est obstrué.	Retirez la pompe et nettoyez-la. Vérifiez le tuyau pour la présence d'entartrage ou de corrosion.
La pompe effectue continuellement des cycles	Usure de l'impulseur à cause d'éléments abrasifs.	Remplacer la pompe.
	Aucun clapet anti-retour n'est installé sur le long tuyau de refoulement afin de permettre au liquide de retourner dans le puisard.	Installez un clapet anti-retour sur le conduit de refoulement.
	Le tuyau de refoulement ou l'impulseur est obstrué.	Inspectez le clapet anti-retour pour vérifier son bon fonctionnement.
Les sprays d'eau d'un trou dans la pipe de renvoi.	Bassin trop petit pour le débit entrant.	Installez un bassin de plus grande taille.
	Il devrait y avoir un trou saigné dans la pipe de renvoi qui permet à l'air piégé de s'échapper de la pompe, en prévenant la bulle d'air.	Aucune mesure corrective n'est requise.



Pour l'aide technique, entrez s'il vous plaît en contact :

**800.701.7894** | **littlegiant.com**

Form 10000004899 Rév. 001 12/20

**LittleGIANT®**

Franklin Electric Co., Inc. | Oklahoma City, OK 73157-2010

Droits d'auteur © 2020, Franklin Electric, Co., Inc. Tous droits réservés.